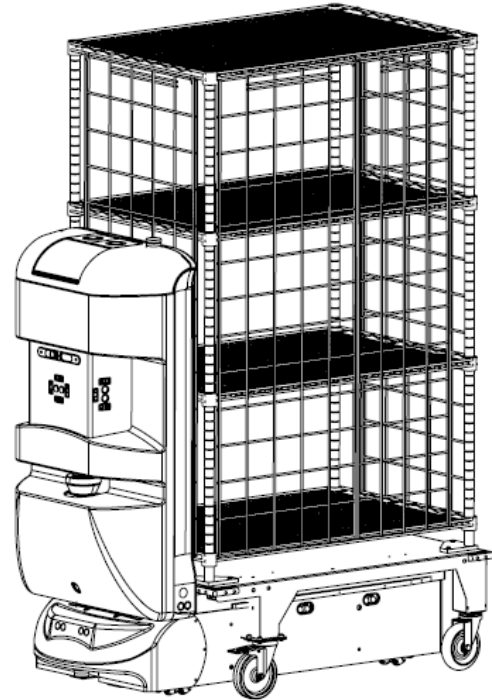


Product Description

The TUG T3 is a smart autonomous mobile robot that automates the transport of materials and supplies in commercial environments. TUG is different from traditional AGV systems in that it requires no infrastructure for navigation.

- 24x7 Improved Productivity
- Auto docks and auto charges
- Automatic drop off and pickup of carts
- Can travel on irregular concrete floors
- Navigates on internal map of facility using laser
- Has multiple dispatch modes:
 - Scheduled
 - Touchscreen ad-hoc
 - Multi-stop “milk runs”
 - Handheld ad-hoc requests
 - Manufacturing system messages



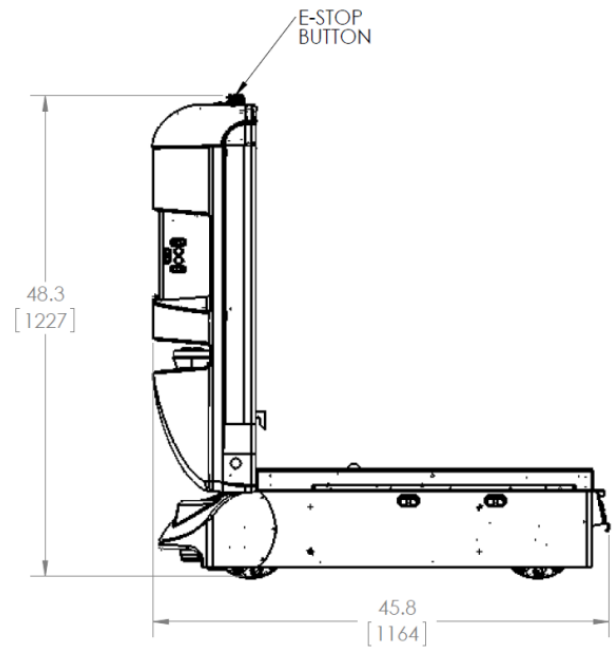
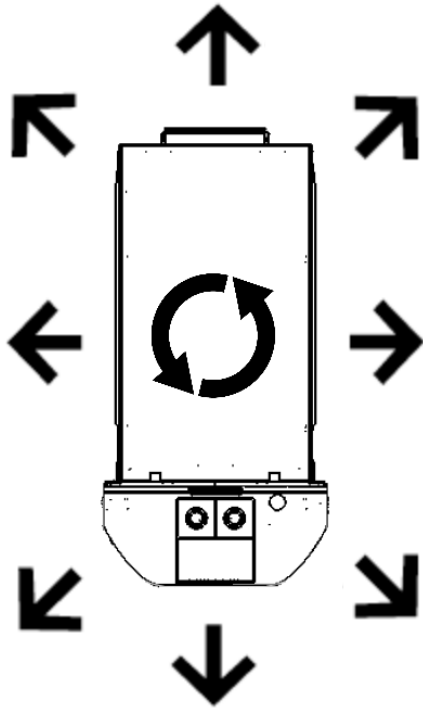
Specifications

Specification	293130
Maximum Carrying Capacity	1000 lbs / 453 kg
Battery Run Time	10 hours with intermittent charging
Battery Technology	Valve-Regulated Lead-Acid (VRLA)
Cart Length	38 inches / 96.5 cm
Drive System	Omnidirectional 4 wheel driven
Navigation and sensing	Real-time multi-LIDAR, sonar and infrared sensors
Communications	WiFi or 900MHz
Support	Locally hosted or remote to Aethon Command Center via secure encrypted VPN
Turning Radius	Rotate about center, front, rear
Docking Station Width	24" (61cm) plus 12" (30.5") clearance
Environmental	Interior use
Travel Speed	30 inches (76 cm) per second

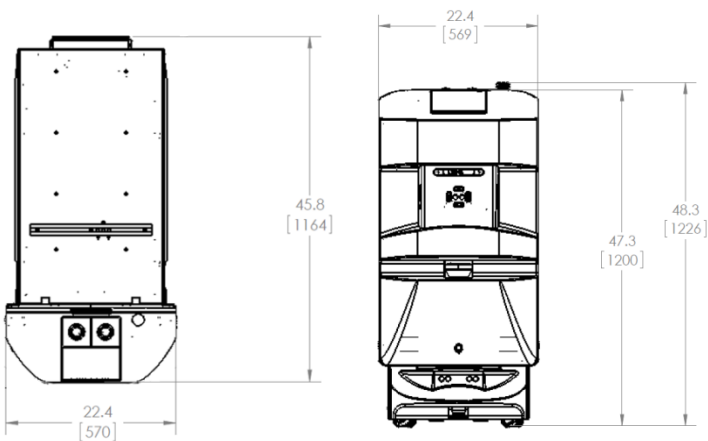
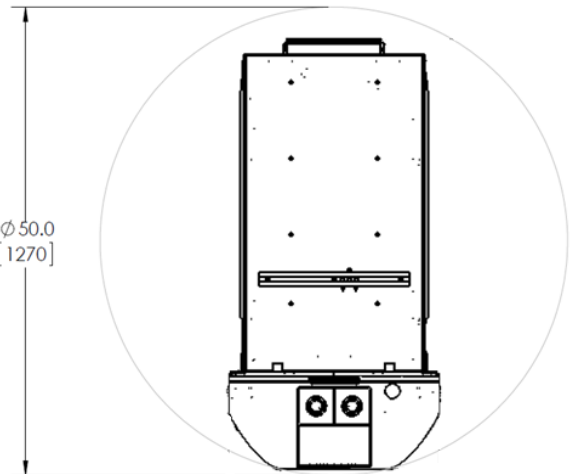
Standards Compliance

- EN 12100:2010, EN 60204-1:2006+A1:2009, IEC 60034-1:2004-04
- EN 61000-6-4:2007; EN 61000-6-2:2005; EN 60601-1-2:2007, EN 55022
- EN 301 489-1, EN 301 489-17
- FCC CFR 47, Part 15; ICES-001; Australian RCM Compliance
- ETSI EN 300 220-1 V2.4.1 & ETSI EN 300 220-2 V2.4.1
- EN 300 328 1.7.1, EN 301 893 1.6.1

Full Omnidirectional Motion Capability



TURNING ENVELOPE $\phi 50.0$ [1270]



Copyright Aethon Inc 2016. All Rights Reserved. www.aethon.com
Specifications subject to change.